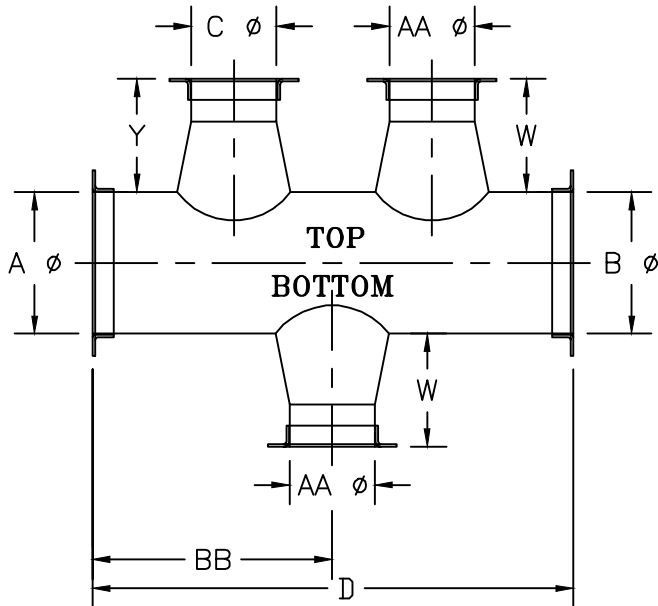




**Kem-Tuff™**  
CORROSIVE AIR TRANSFER SYSTEMS

NOTE\* When ordering, refer to TCTO STANDARDS sheet

# Triple Concentric Takoff - TCTO



CONNECTIONS*				REFER TO LEGEND					
STANDARD*				USE FOR NON-STANDARD FLANGES ONLY					
"A"	"B"	"AA"	"C"	SPEC	I.D.	O.D.	B.C.	HOLE SIZE	# OF HOLES

FITTING #	A $\phi$	B $\phi$	AA $\phi$	BB	C $\phi$	D	W	X	Y	"A"	"B"	"AA"	"C"	SPEC	I.D.	O.D.	B.C.	HOLE SIZE	# OF HOLES	REMARKS
														"A"						
														"B"						
														"AA"						
<b>TOP</b>														"C"						
<b>BOTTOM</b>														"AA"						
														"C"						

Pressure Class in w.g.	+	-	1	2	3	4	5	6	7	8	9	10	11	12	13	14	15	16
------------------------	---	---	---	---	---	---	---	---	---	---	---	----	----	----	----	----	----	----

Company Name: \_\_\_\_\_  
 Contact Name: \_\_\_\_\_ Phone#: \_\_\_\_\_  
 Project Name: \_\_\_\_\_ Date: \_\_\_\_\_  
 Project #: \_\_\_\_\_ GDS Project #: \_\_\_\_\_

*CONNECTION LEGEND*	
TYPE	MATERIAL
KF = NW-ISO-KF	BI = BLACK IRON
FB = FLAT BAR	304 = STAINLESS
AR = ANGLE RING	SPEC = FB 304 S.S. ONLY
RAW = NO FLANGE	

SPECIFY UNDER "CONNECTIONS" STD COLUMN: FLANGE TYPE AND MATERIAL, IF OTHER THAN STD 304 S.S.