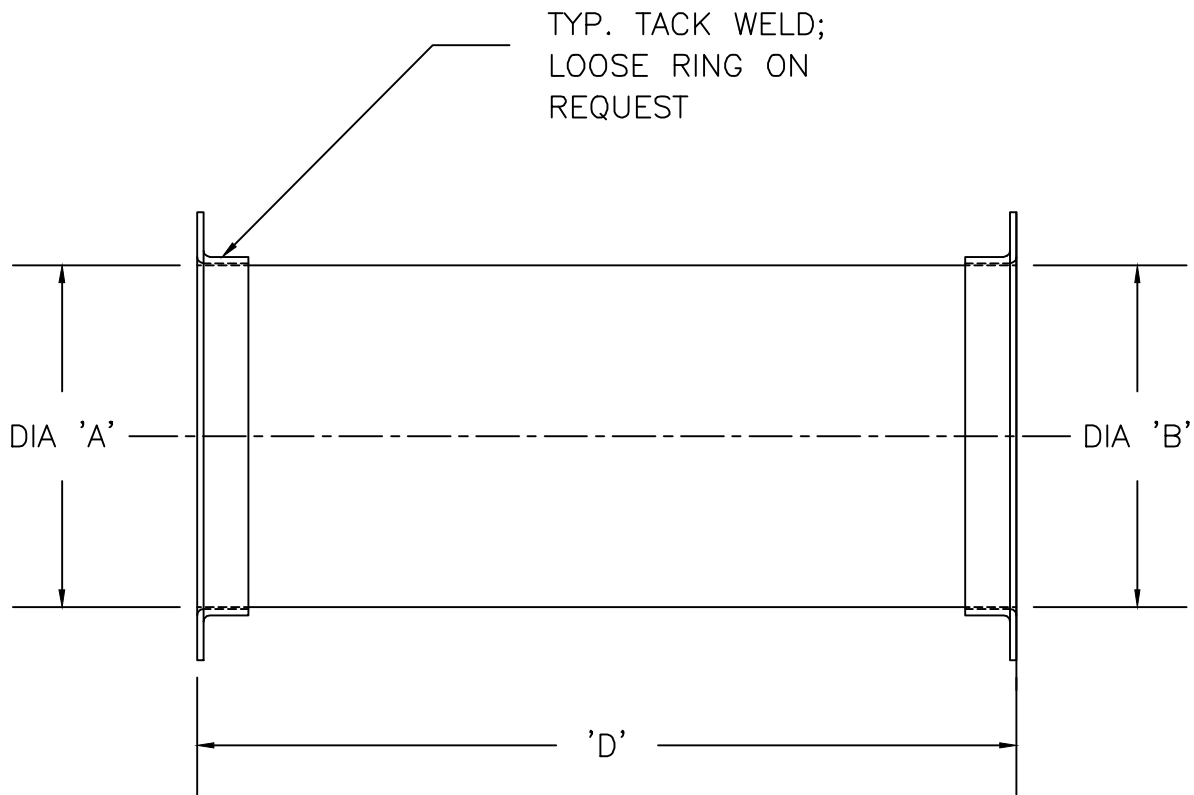


Kem-Tuff™
CORROSIVE AIR TRANSFER SYSTEMS

**Straight
Pipe**

SP



MAX. "D" = 47 1/2" 6"φ AND HIGHER

MAX. "D" = 36" 4"φ AND 3"φ

"A" MAX. = 60"

"A" MIN. = 3"φ

8 FT LENGTHS AVAILABLE AT 18"φ AND ABOVE