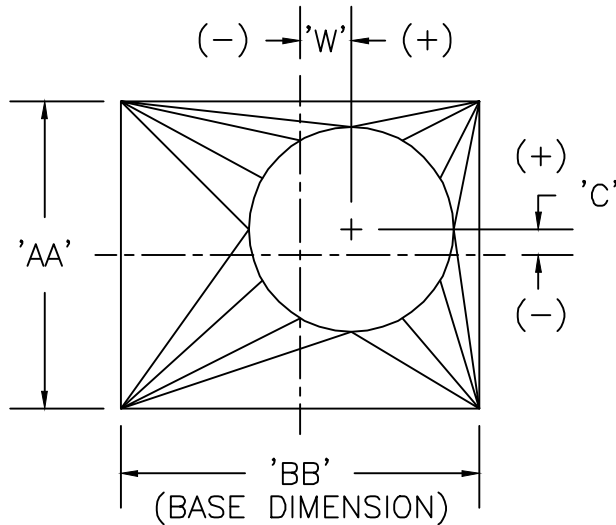


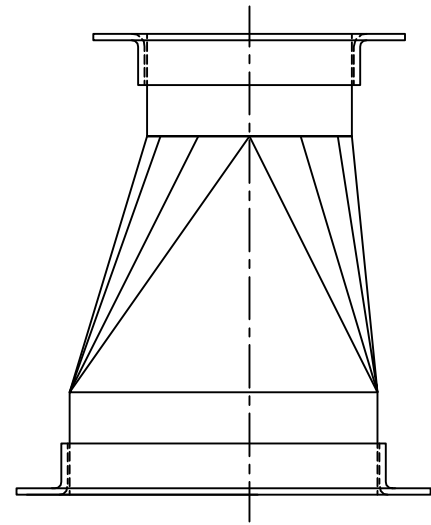
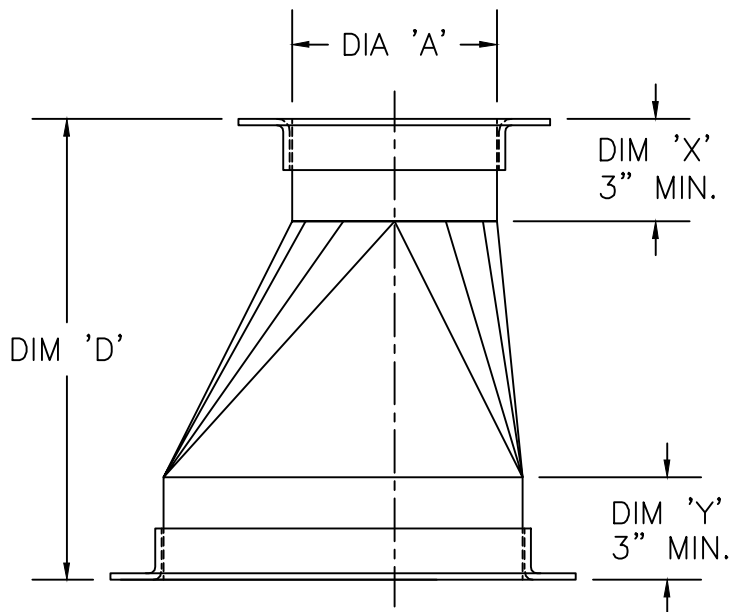
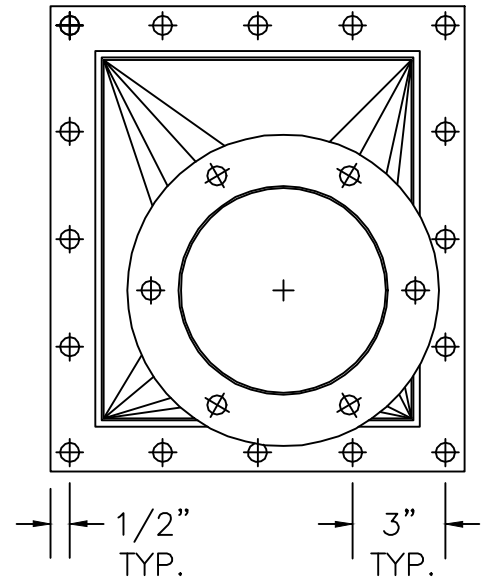
Kem-Tuff™
CORROSIVE AIR TRANSFER SYSTEMS

**Round to
Rectangular - RRT
Transition**

TOP VIEW
(ANGLE RINGS NOT SHOWN)



TOP VIEW, ROTATED 90°
(ANGLE RINGS SHOWN)



NOTES:

- 1) DIM 'BB' IS BASE DIM AS VIEWED FROM TOP. ALL OTHER DIM'S ARE IN REFERENCE TO THIS DIM. PLEASE SPECIFY 'BB' AND 'AA' DIMENSIONS.
- 2) DIM'S 'W' & 'C' REF RECT/SQUARE CENTERLINE TO ROUND CENTERLINE.
- 3) DIM 'W' CAN BE LEFT (-) OR RIGHT (+) OF BASE VERTICAL CENTERLINE.
- 4) DIM 'C' CAN BE BELOW (-) OR ABOVE (+) HORIZONTAL BASE CENTERLINE.
- 5) FOR ROUND CENTERED ON RECT/SQUARE, "W" & "C" = ZERO.
- 6) FOR FLAT ON BOTTOM, SPECIFY 'BB' AS BOTTOM DIM.
- 7) IF -'W' = 'W' AND -'C' = 'C', USE (+) TO SPECIFY DIMENSIONS.