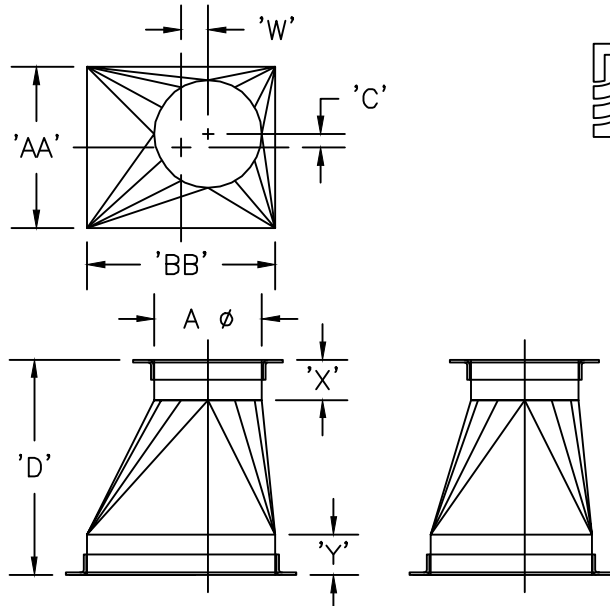




Kem-Tuff™
CORROSIVE AIR TRANSFER SYSTEMS

NOTE* When ordering, refer to RRT STANDARDS sheet



Round to Rectangular - RRT Transition

CONNECTIONS* REFER TO LEGEND						
STANDARD*	USE FOR NON-STANDARD FLANGES ONLY					
"A"	SPEC	I.D.	O.D.	B.C.	HOLE SIZE	# OF HOLES
	"A"					
	"A"					
	"A"					
	"A"					

FITTING #	A ϕ	'AA'	'BB'	C	D	W	X	Y

Pressure Class in w.g.	+	-	1	2	3	4	5	6	7	8	9	10	11	12	13	14	15	16
------------------------	---	---	---	---	---	---	---	---	---	---	---	----	----	----	----	----	----	----

Company Name: _____
 Contact Name: _____ Phone#: _____
 Project Name: _____ Date: _____
 Project #: _____ GDS Project #: _____

CONNECTION LEGEND	
TYPE	MATERIAL
KF = NW-ISO-KF	BI = BLACK IRON
FB = FLAT BAR	304 = STAINLESS
AR = ANGLE RING	SPEC = FB 304 S.S. ONLY
RAW = NO FLANGE	

SPECIFY UNDER "CONNECTIONS" STD COLUMN: FLANGE TYPE AND MATERIAL, IF OTHER THAN STD 304 S.S.