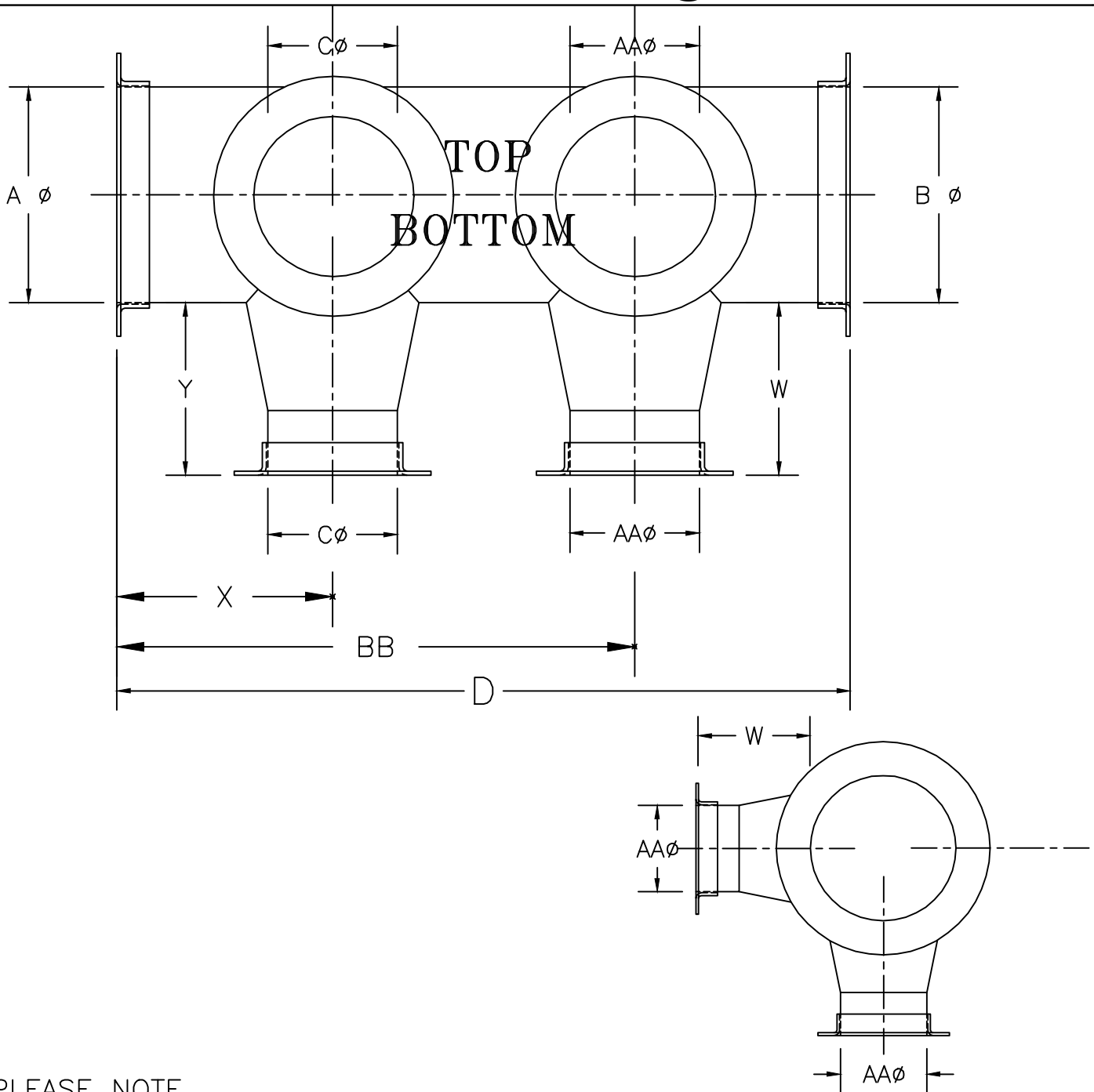


Kem-Tuff™
CORROSIVE AIR TRANSFER SYSTEMS

Quadruple
Concentric
Takoff @90°

STANDARDS

QCT090



PLEASE NOTE

- 1) WHEN USING ORDER SHEET, SPECIFY TOP DIMENSIONS IN FIRST ROW.
- 2) SPECIFY BOTTOM DIMENSIONS (WITH SAME DESIGNATION) IN SECOND ROW.
- 3) TOP AND BOTTOM DIMENSION WITH SAME LETTERS CAN BE DIFFERENT.
- 4) DIMS 'X' AND 'BB' APPLY SEPARATELY TO TOP AND BOTTOM.
- 5) ALL 'TYPICAL' DIMENSIONS APPLY TO BOTH TOP AND BOTTOM.

MAX. 'C' = 'A' - 4
IF HIGHER, GO TO
'TEE' OR 'LATERAL'

MAX. 'A' = 'A' - 4
IF HIGHER, GO TO
'TEE' OR 'LATERAL'