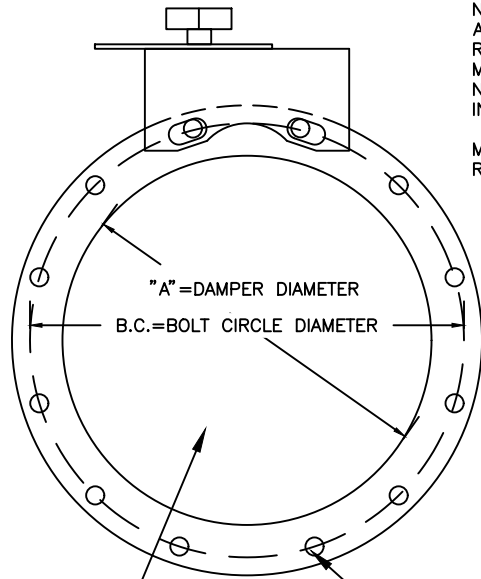
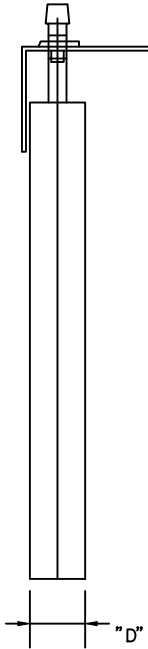


OTS™ PTFE DAMPER WITH SEALS

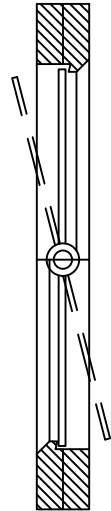
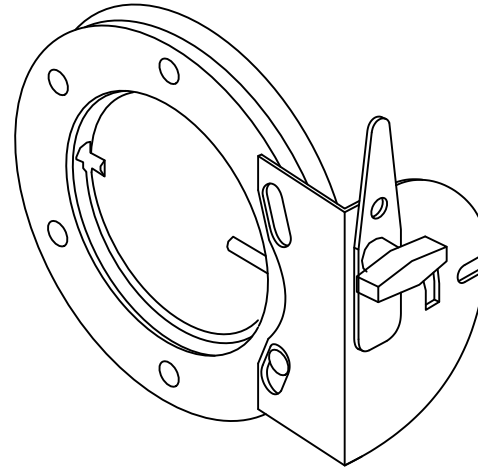


NOTE:  
ANGLE RINGS  
REQUIRED FOR  
MOUNTING.  
NOT INCLUDED  
IN DAMPER KIT.

MATCH OUR ANGLE  
RING SPECS



FRAME IS PTFE



CROSS SECTION VIEW  
WITH SEALS

SHEET \_\_\_\_ OF \_\_\_\_

COATED BLADE  
11 GA., 304SS

B.H.=BOLT HOLE

PIN LOCK OPTION

STANDARD

SIZE CHART

FITTING #	"A"	"D"	B.C.*	B.H. DIA.*	BOLT QTY.	BOLT(**)(*) DIMENSIONS	PART NUMBER (WITH SEALS)	QTY.
	4.00	1.25	5.375	.281	6	5/16-20UNCX2-1/4"	030-010-040	
	6.00	1.25	7.75	.625	6	5/16-20UNCX2-1/4"	030-010-060	
	8.00	1.25	9.75	.625	8	5/16-20UNCX2-1/4"	030-010-080	
	10.00	1.25	11.75	.625	8	5/16-20UNCX2-1/4"	030-010-100	
	12.00	1.25	13.75	.625	12	3/16-20UNCX2-1/4"	030-010-120	
	14.00	1.25	15.75	.625	12	3/16-20UNCX2-1/4"	030-010-140	

\* MATCH OUR ANGLE RING SPECS

\*\* BOLTS PROVIDED IN DAMPER KIT

Pressure Class in w.g.    +    -    1    2    3    4    5    6    7    8    9    10    11    12    13    14    15    16

Company Name: \_\_\_\_\_  
 Contact Name: \_\_\_\_\_ Phone#: \_\_\_\_\_  
 Project Name: \_\_\_\_\_ Date: \_\_\_\_\_  
 Project #: \_\_\_\_\_ GDS Project #: \_\_\_\_\_

\*CONNECTION LEGEND\*

TYPE	MATERIAL
KF = NW-ISO-KF	BI = BLACK IRON
FB = FLAT BAR	304 = STAINLESS
AR = ANGLE RING	SPEC = FB 304 S.S. ONLY
RAW = NO FLANGE	

SPECIFY UNDER "CONNECTIONS" STD COLUMN: FLANGE TYPE AND MATERIAL, IF OTHER THAN STD 304 S.S.