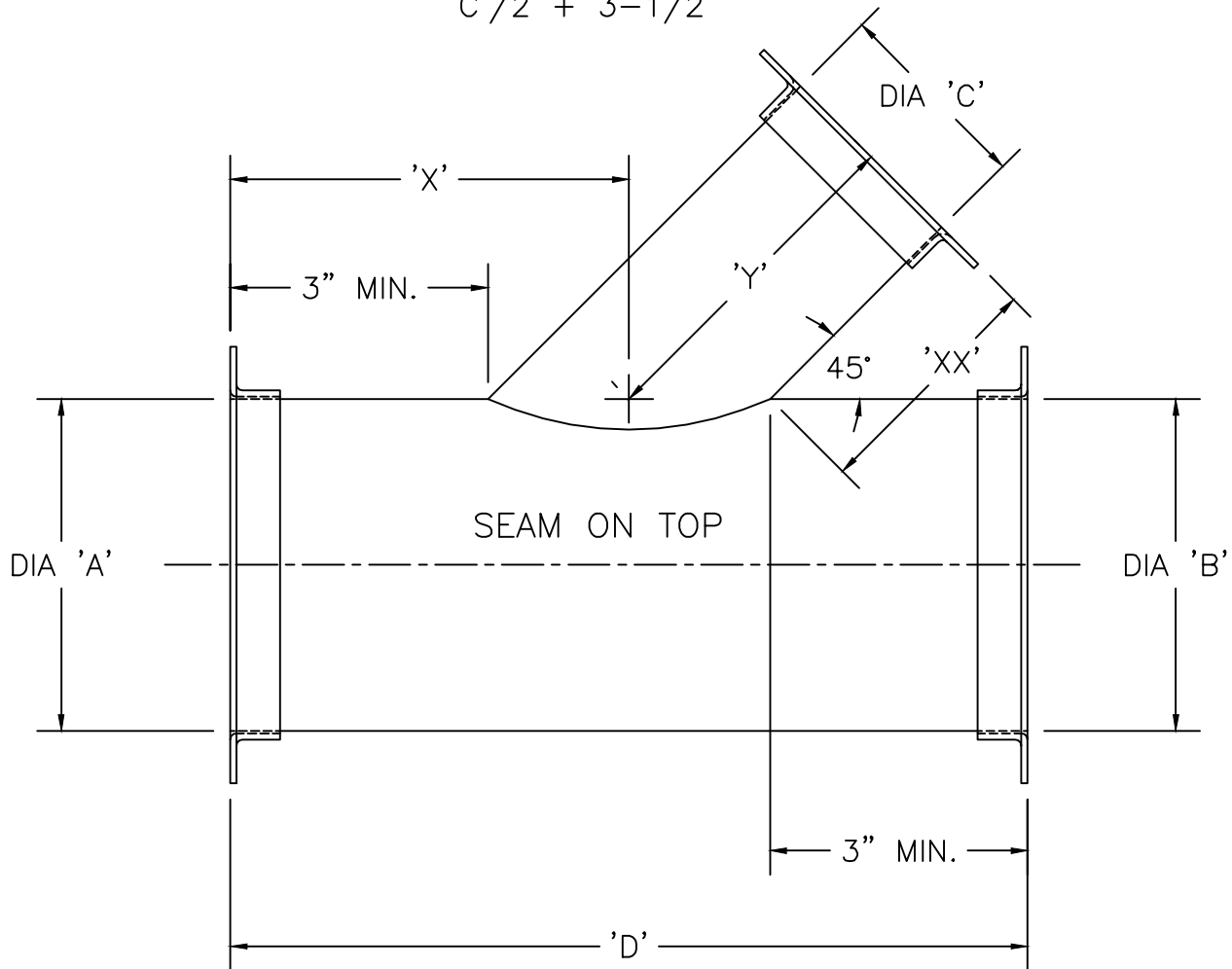


Kem-Tuff™
CORROSIVE AIR TRANSFER SYSTEMS

Lateral - LAT 45
Takeoff

$$'Y' = (1/2 \times 'C') + 'XX'$$

$$\text{MIN. FOR } 'Y' = 'C'/2 + 3-1/2$$



MAX. "D" = 47" 6"ø AND HIGHER

MAX. "D" = 36" 4"ø

IF "B" = "A", MIN. FOR "D" = "C" x 1.414 + 6