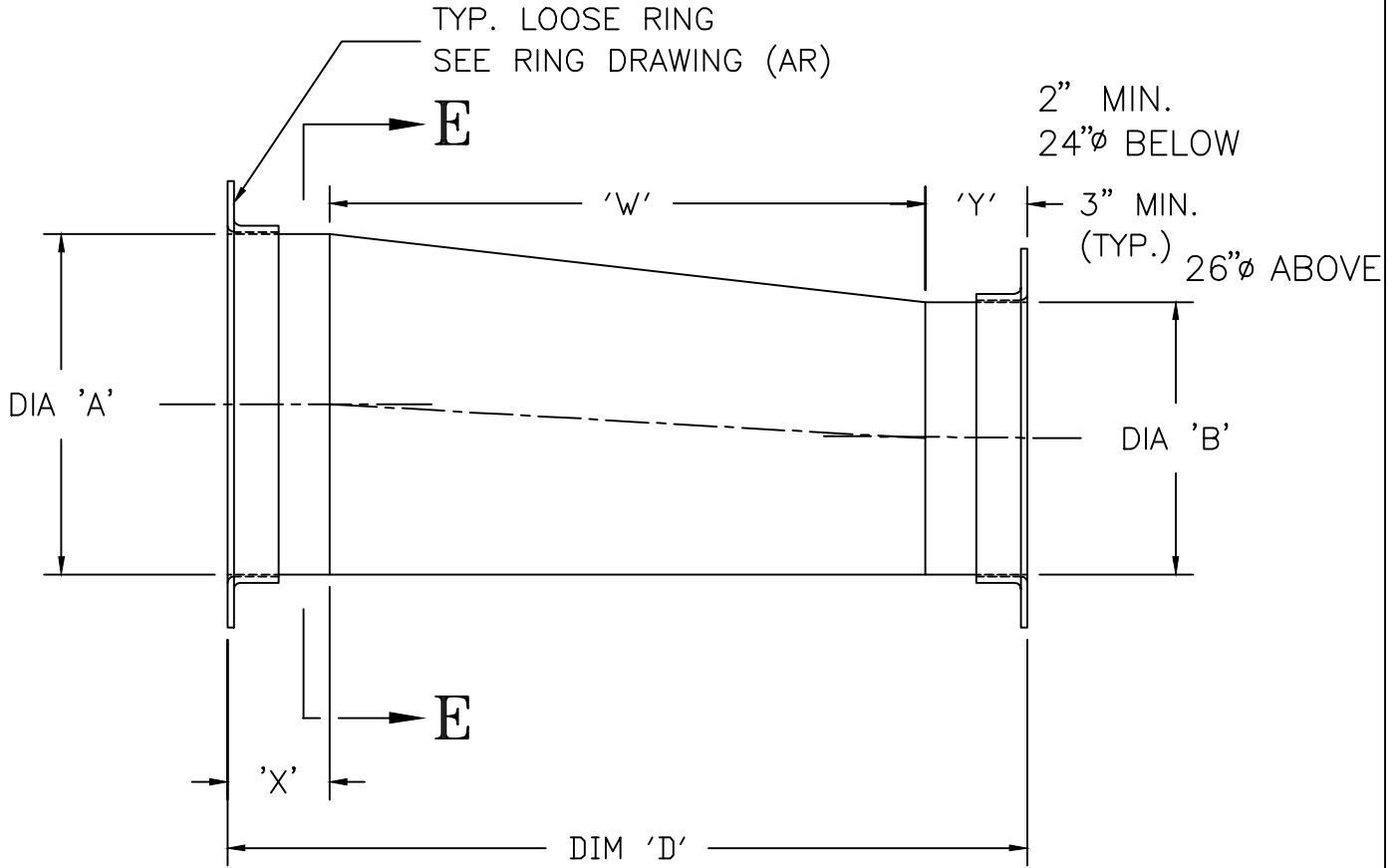


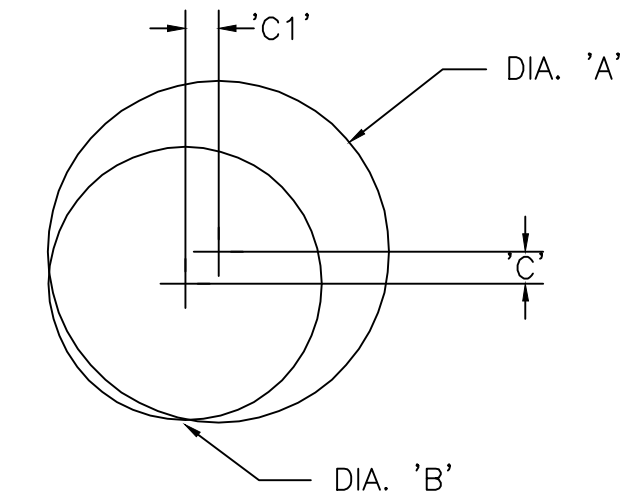
Kem-Tuff™
CORROSIVE AIR TRANSFER SYSTEMS

Eccentric Reducer - ERFF



NOTES:

- 1. DIA 'A' = BIG END



VIEW E—E
(LOOSE RING NOT SHOWN)