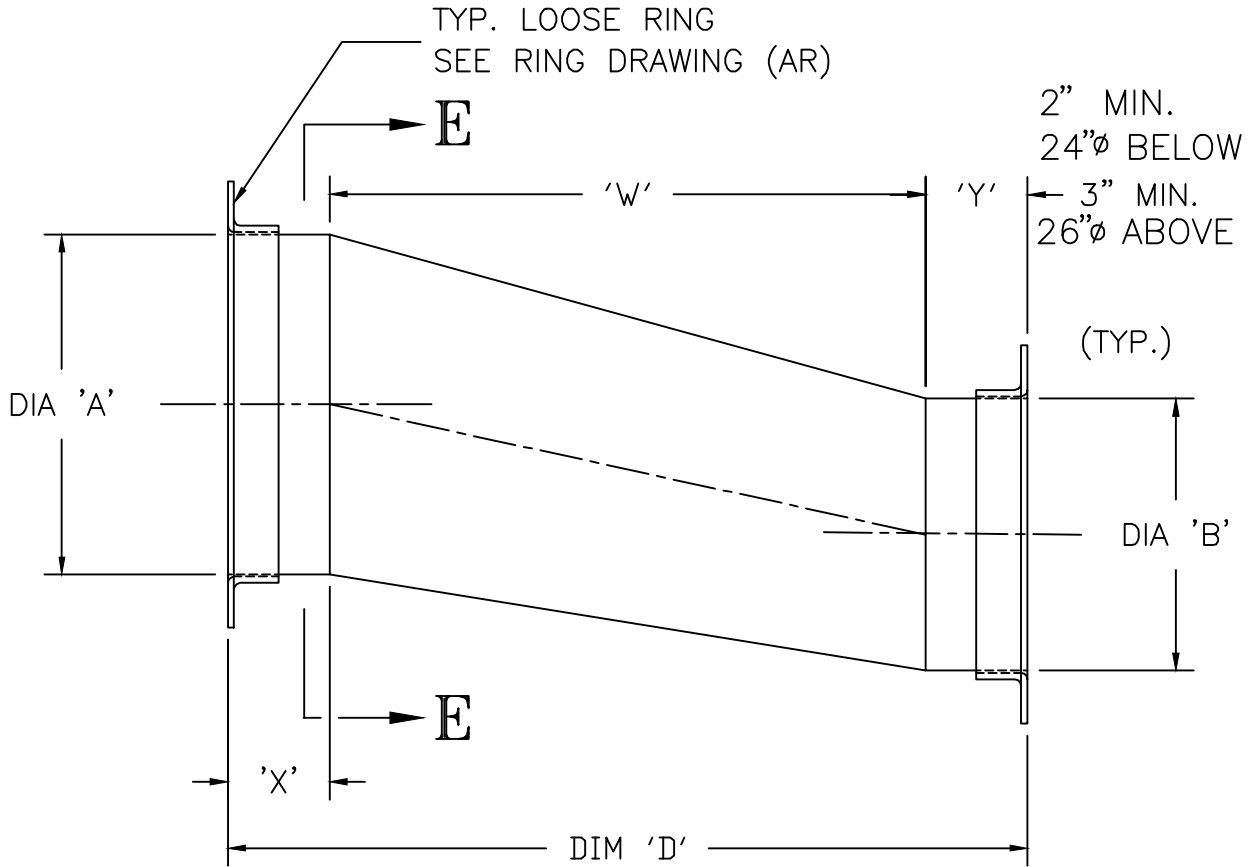


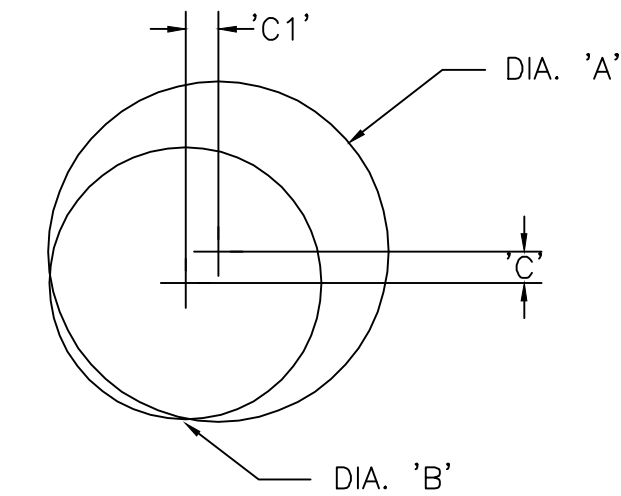
**Kem-Tuff™**  
CORROSIVE AIR TRANSFER SYSTEMS

**Eccentric  
Offset** - EOFF



NOTES:

- 1. DIA 'A' = BIG END



VIEW E—E  
(LOOSE RING NOT SHOWN)