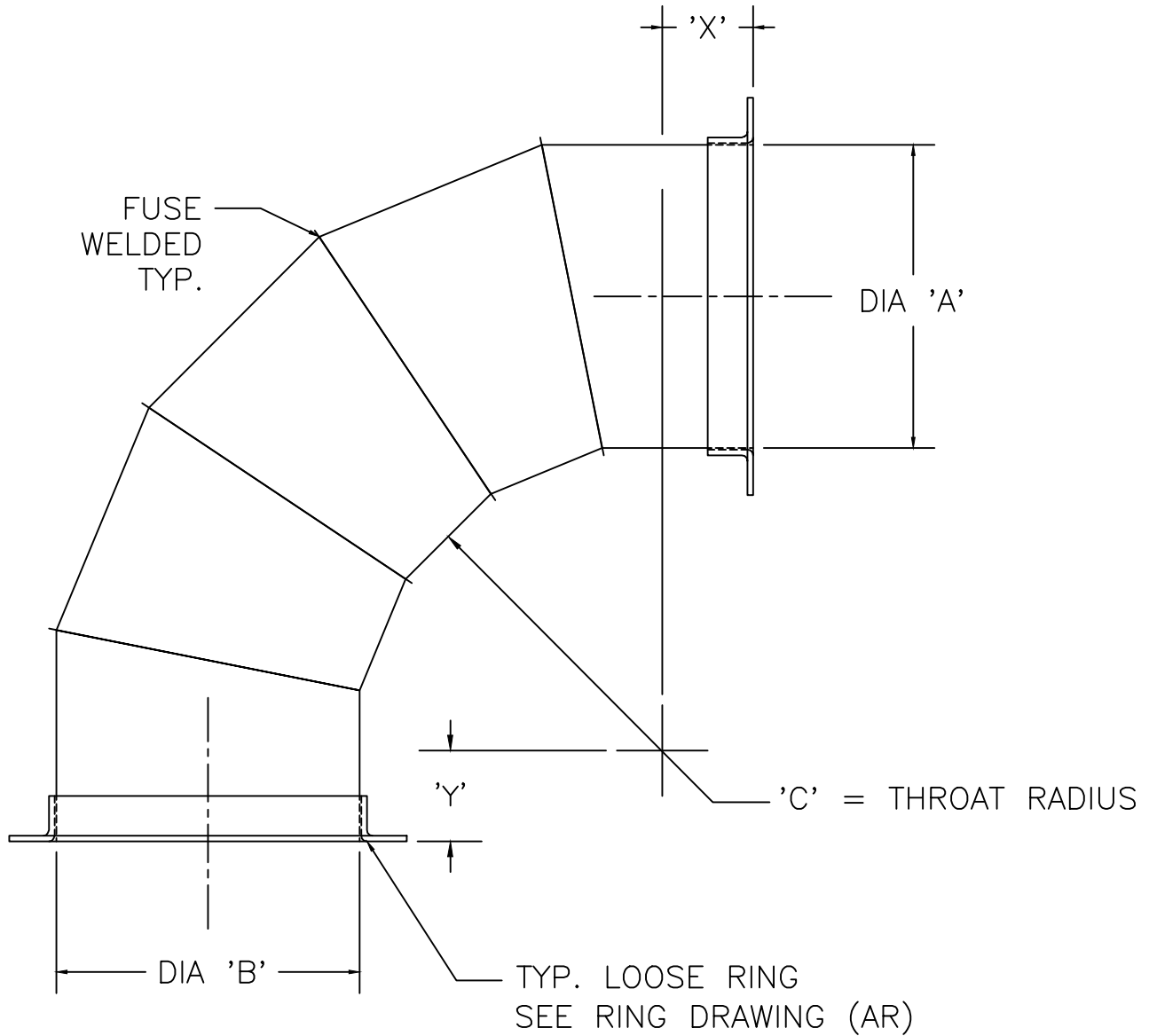


**Kem-Tuff™**  
CORROSIVE AIR TRANSFER SYSTEMS

STANDARDS

**90° Elbow - EL90**  
**5 Gore**



MAX. SIZE ON 90° ELBOW IS 36" DIAMETER  
ABOVE 36", USE 2-45° ELBOWS  
ABOVE 48", USE 3-30° ELBOWS  
ABOVE 60", USE 4-22.5° ELBOWS