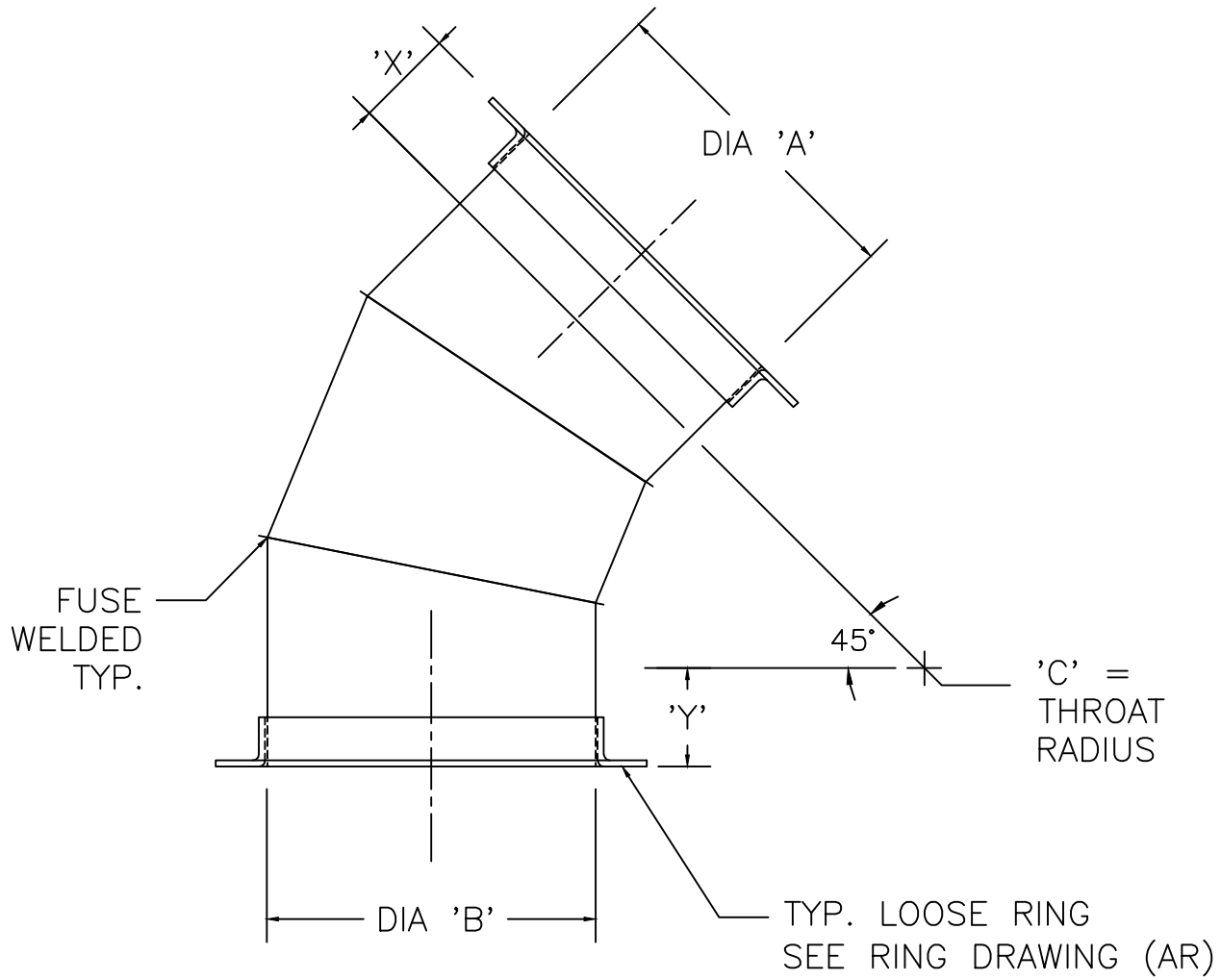


**Kem-Tuff™**  
CORROSIVE AIR TRANSFER SYSTEMS

STANDARDS

# 45° Elbow - EL45 3 Gore



MAX. SIZE ON 45° ELBOW IS 36"  
ABOVE 36" USE 2-22 1/2° ELBOWS