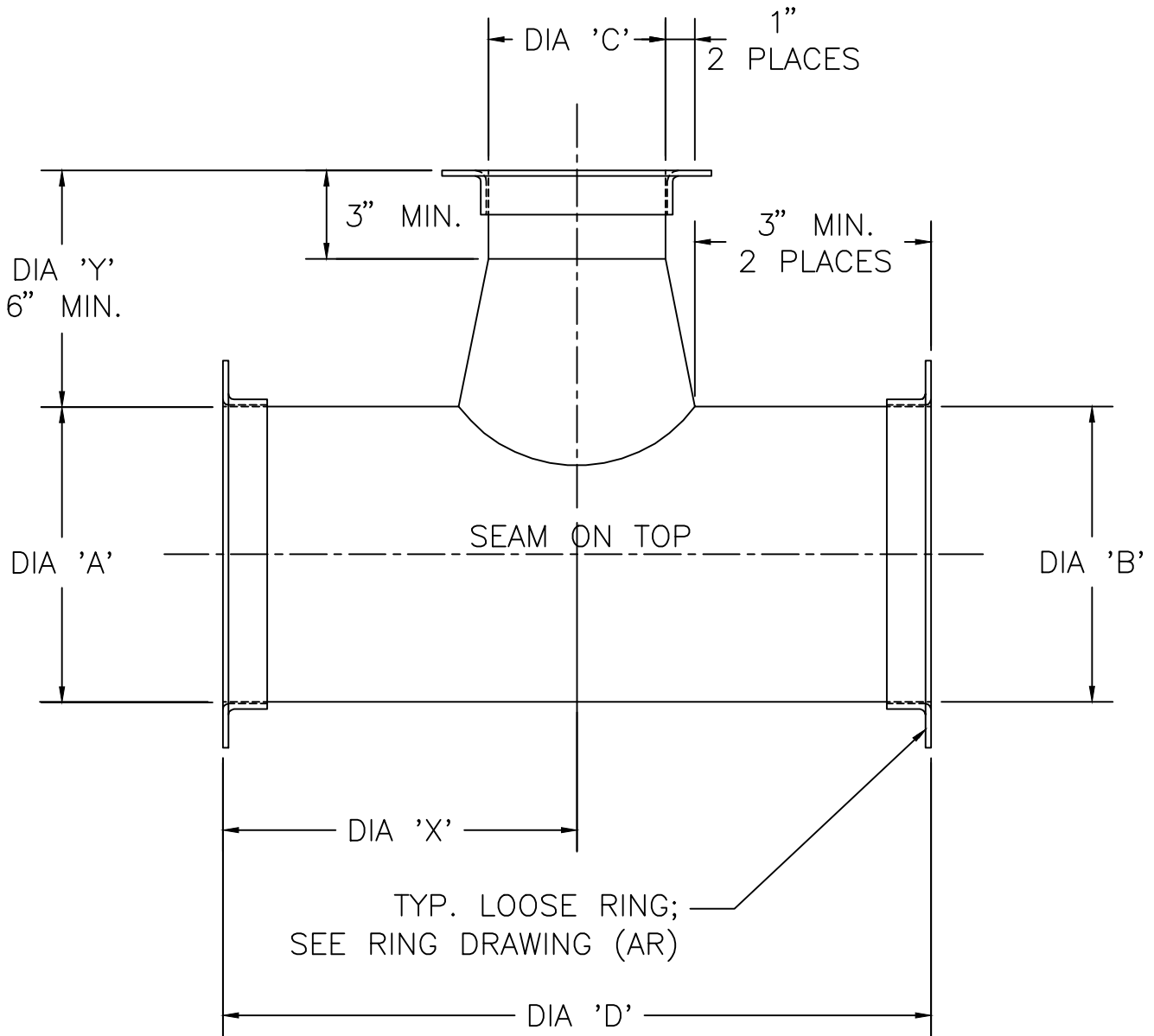


Kem-Tuff™
CORROSIVE AIR TRANSFER SYSTEMS

Concentric - CTO
Takeoff



MAX. 'C' = 'A' - 4
IF HIGHER, GO TO
'TEE' OR 'LATERAL'