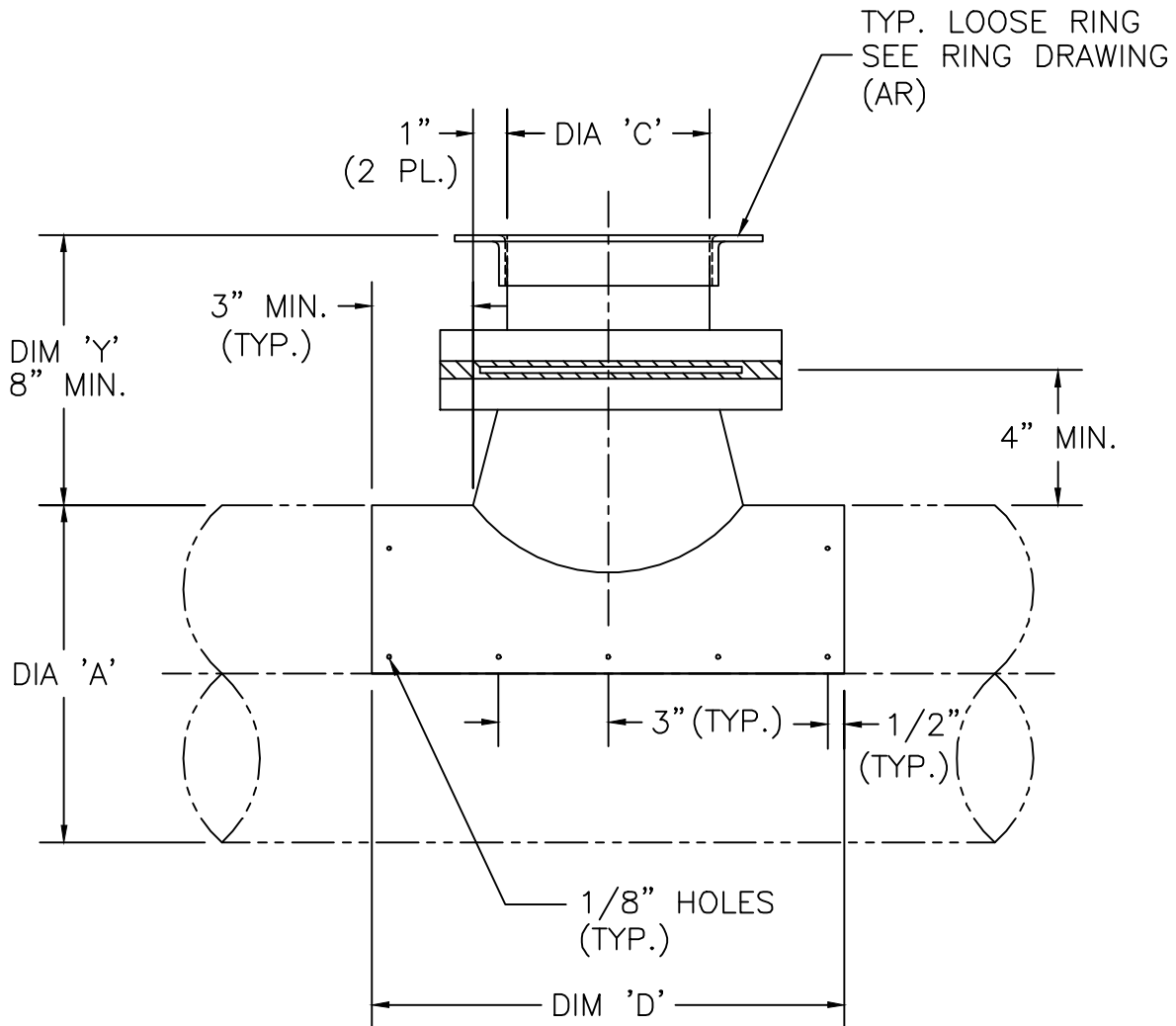


Kem-Tuff™
CORROSIVE AIR TRANSFER SYSTEMS

Concentric - CSTBG
Takeoff



- NOTES*
- MAX. 'C' = 'A' - 4
 - BLADE PULLS UP PERPENDICULAR TO PIPE
 - SEE BGH STANDARD FOR BLASTGATE DETAIL
 - X IS ALWAYS FROM 'A' END