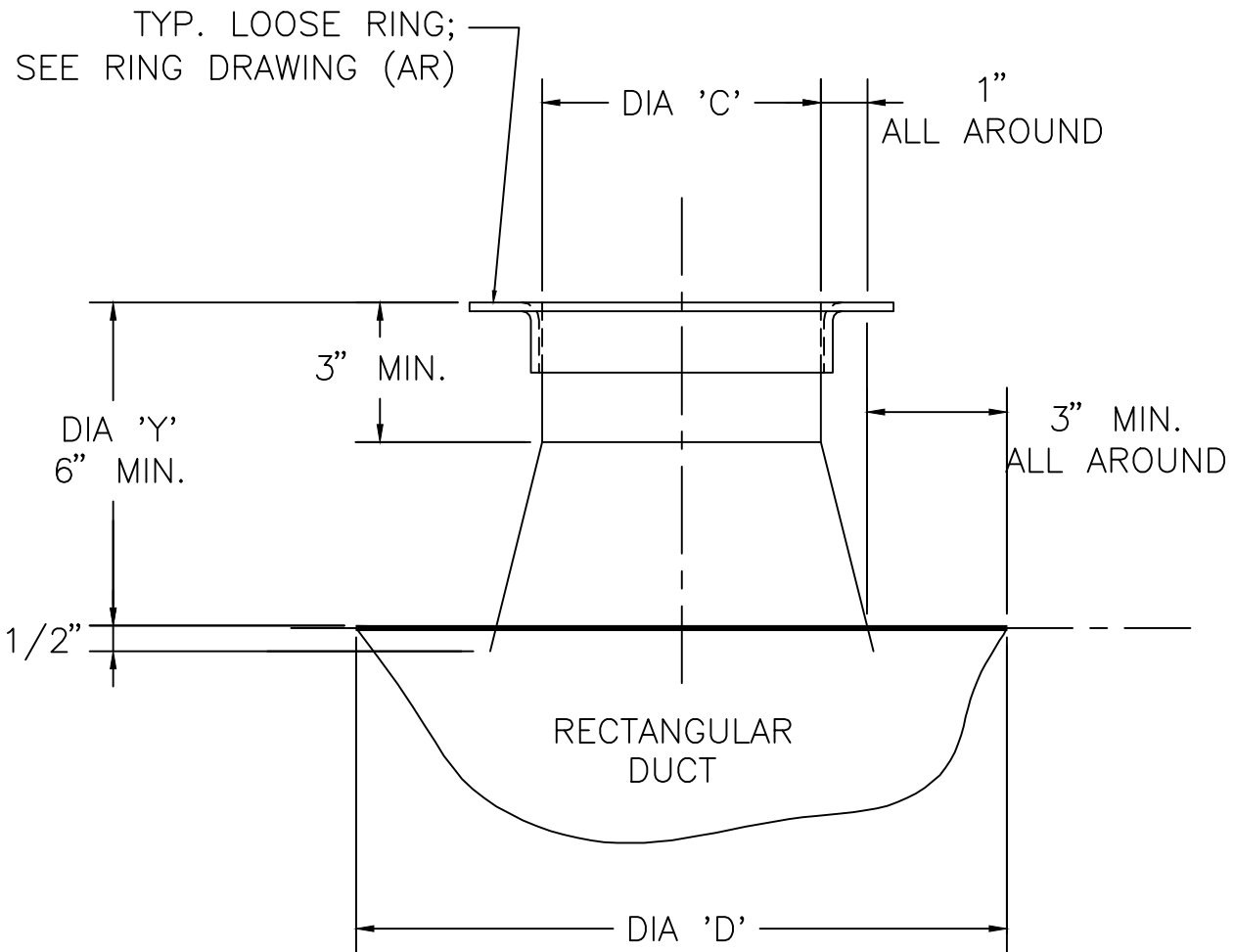


Kem-Tuff™
CORROSIVE AIR TRANSFER SYSTEMS

**Conical -
Flat Tap**

CFT



FOR USE IN TAPPING FIBERGLASS/S.S. DUCT SYSTEMS