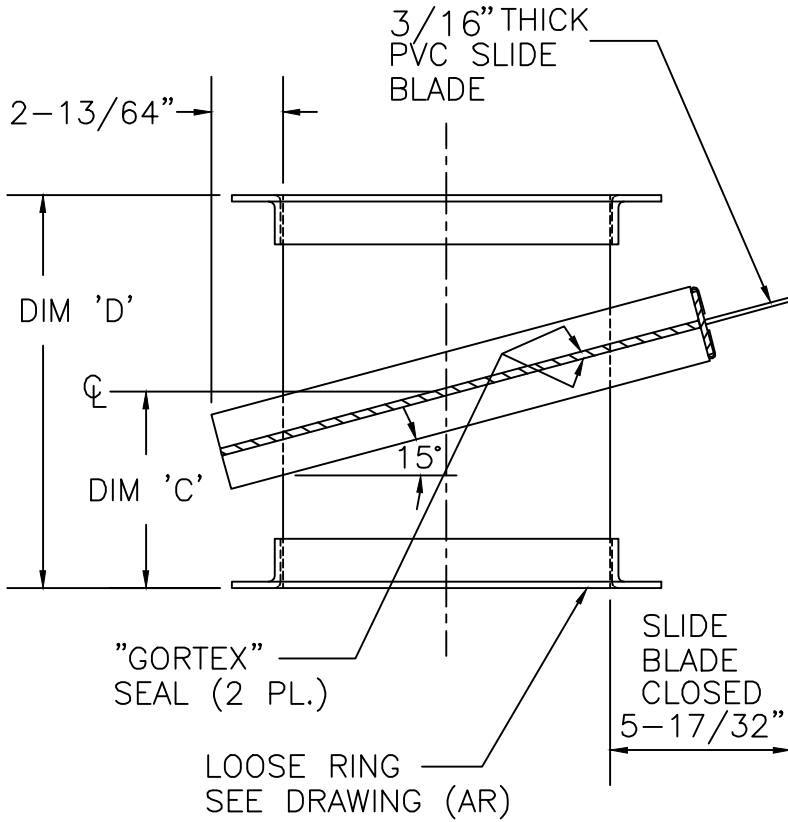


Kem-Tuff™
CORROSIVE AIR TRANSFER SYSTEMS

Vertical Blastgate

BGV

SIDE VIEW



TOP VIEW

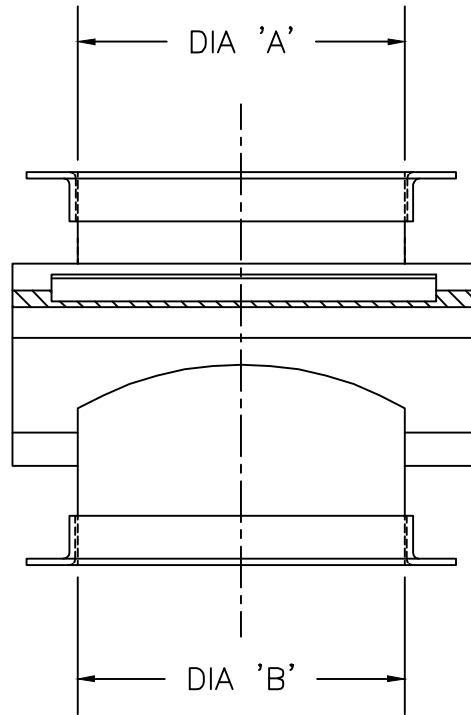
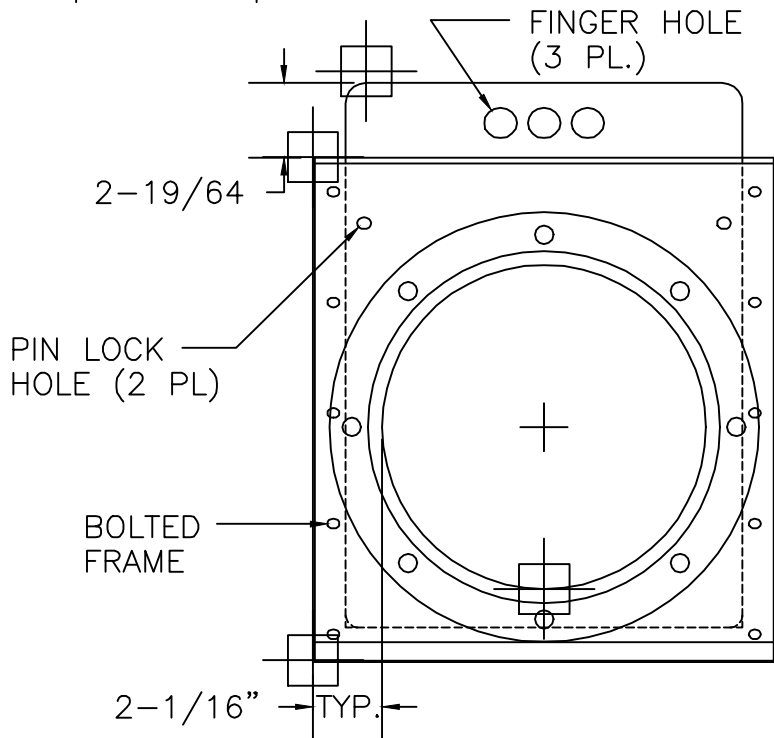


TABLE	
DIA "A "	DIM "D "
5 - 12" ø	8" MIN
13 - 30"ø	12" MIN
31 - 48"ø	16" MIN



END VIEW