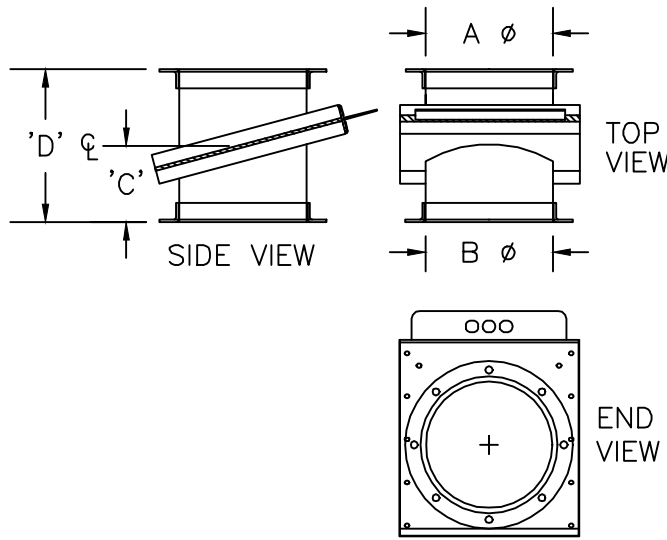


**Kem-Tuff™**  
CORROSIVE AIR TRANSFER SYSTEMS

NOTE\* When ordering, refer to BGV STANDARDS sheet



# Vertical Blastgate<sup>+</sup> - BGV

<sup>+</sup>PIN LOCK VERSION SHOWN

FITTING #	A $\phi$	B $\phi$	C	D	CONNECTIONS*		REFER TO LEGEND						REMARKS
					STANDARD*		USE FOR NON-STANDARD FLANGES ONLY						
					"A"	"B"	SPEC	I.D.	O.D.	B.C.	HOLE SIZE	# OF HOLES	
							"A"						
							"B"						
							"A"						
							"B"						
							"A"						
							"B"						
							"A"						
							"B"						

Pressure Class in w.g.	+	-	1	2	3	4	5	6	7	8	9	10	11	12	13	14	15	16
Company Name: _____ Contact Name: _____ Phone#: _____ Project Name: _____ Date: _____ Project #: _____ GDS Project #: _____								<b>*CONNECTION LEGEND*</b>										
								TYPE					MATERIAL					
								KF = NW-ISO-KF FB = FLAT BAR AR = ANGLE RING RAW = NO FLANGE					BI = BLACK IRON 304 = STAINLESS SPEC = FB 304 S.S. ONLY					
SPECIFY UNDER "CONNECTIONS" STD COLUMN: FLANGE TYPE AND MATERIAL, IF OTHER THAN STD 304 S.S.																		