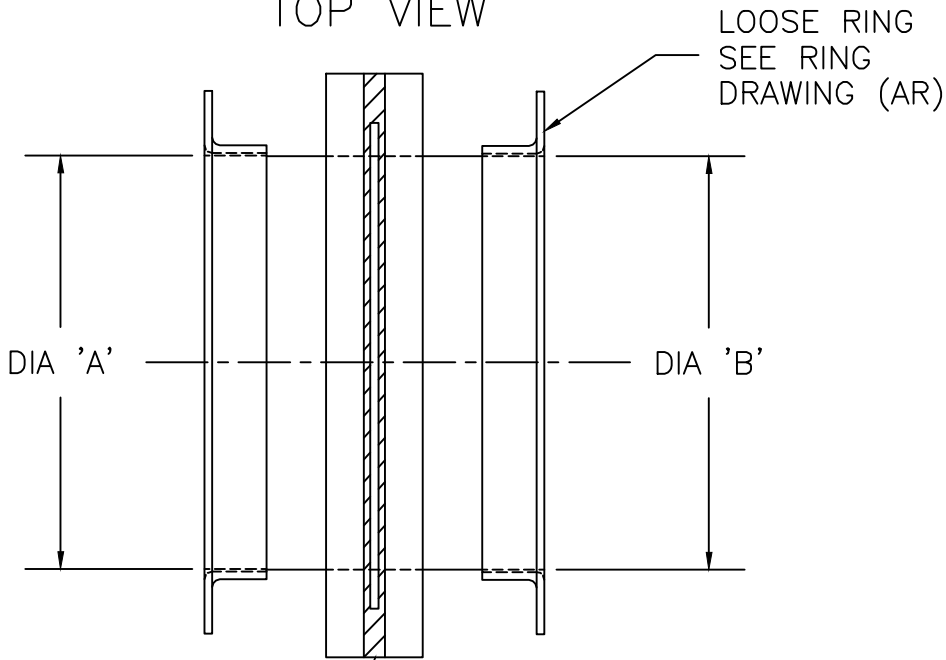


Kem-Tuff™
CORROSIVE AIR TRANSFER SYSTEMS

Horizontal Blastgate - BGH

TOP VIEW



OPTIONAL PIN LOCK/
THUMB SCREW

NOTE*

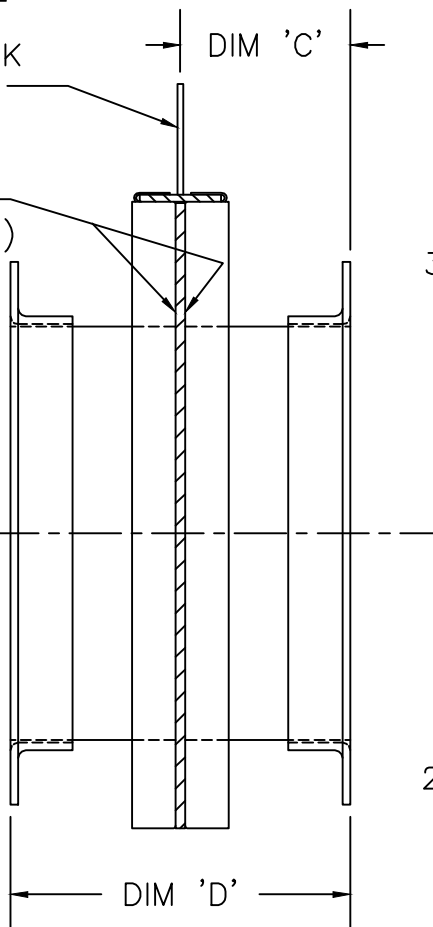
MIN FOR "D" IS 8"
26" ABOVE MIN.
FOR "D" 6"
24" BELOW

NEOPRENE
BLADE SEAL

3/16" THICK
PVC SLIDE
BLADE

"GORTOX"
SEAL (2 PL.)

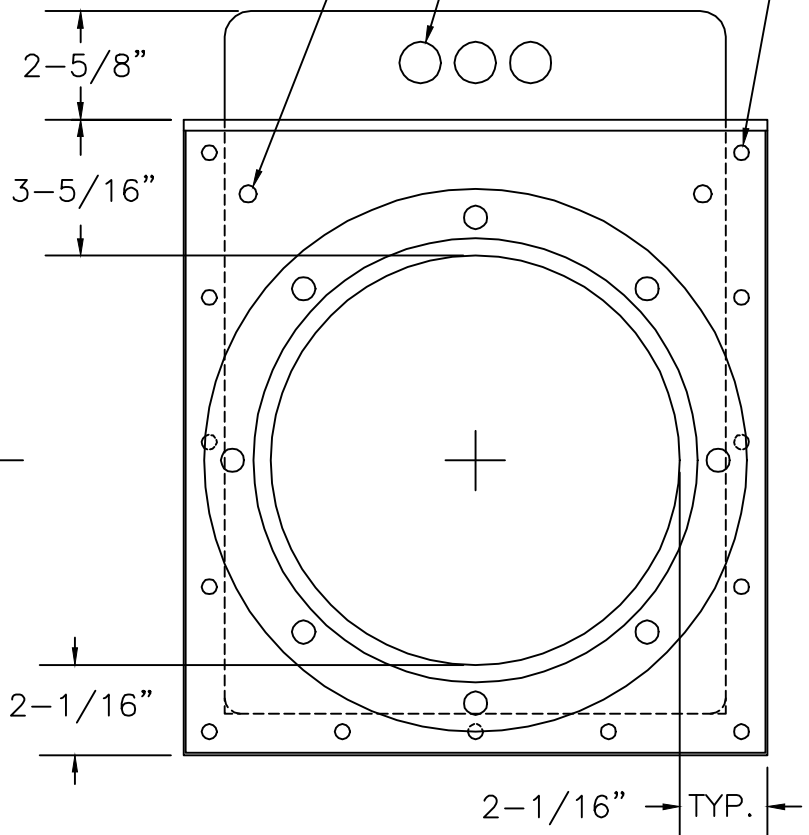
SIDE
VIEW



BOLTED
FRAME

PIN LOCK
HOLE (2 PL)

FINGER
HOLE
(3 PL)



END VIEW